



EAU Series Electric Actuators



Overview

Moderately-priced uni-directional quarter-turn actuator for Hayward ball valve applications only. In addition to providing ample torque for 1/2" – 2" valve operation, this all plastic actuator offers a molded-in mounting bracket as well as several basic features.

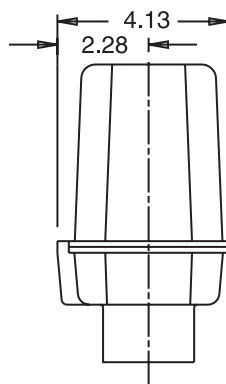
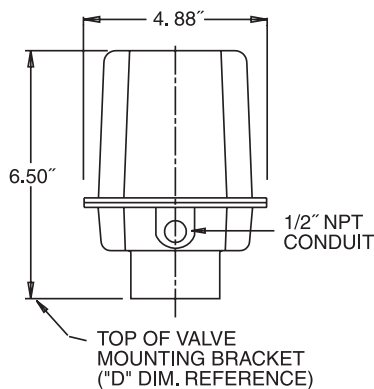
Features

- Plastic Weather Resistant Enclosure
- 90° (EAU29) or 180° (EAU28) Operation
- UL/CSA Listed Motor
- Permanently Lubricated
- Brake Standard
- On/Off Applications
- Nema 4/4X Housing
- 115 VAC Operation
- Auxiliary Limit Switch Standard

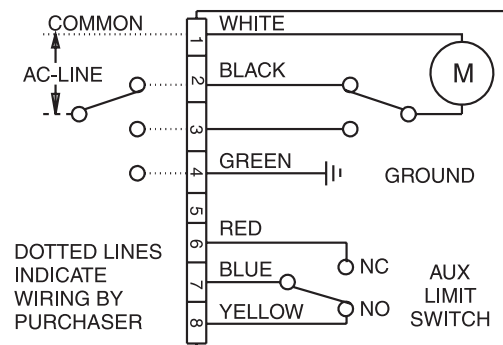
Options

- Voltage Options: 12 VDC, 24 VDC, 12 VAC, 24 VAC, 220 VAC Motors

Dimensions-Inches



Wiring Diagram



Actuator Specifications

| Model | EAU |
|-------------------------------|-----------------------------|
| Torque Output (in-lbs) | 140 |
| Standard Voltage | 115 VAC |
| Duty Cycle | 25% |
| Thermal Overload | Standard |
| Cycle Time (secs)* | 2.5/5.0 |
| Auxiliary Switch Limit Rating | SPDT 5A Resistive @ 230 VAC |
| Conduit Entry | 1/2" NPT |
| Enclosure | NEMA 4/4X |
| Enclosure Material | Polypropylene |
| Max Current Amps @ 115 VAC | 2.8 |
| Weight (lb/kg) | 6.2 / 2.7 |

* EAU29 2.5, EAU28, 5.0

Valve Selection Chart

| Size | True Union Ball Valve | Three-Way Ball Valve |
|-----------|-----------------------|----------------------|
| 1/2" - 2" | EAU29 (90°) | EAU28 (180°) |

* Actuator size selections based on clean water at 70°F.



Electric Actuator Specifications and Accessories

| Features/ Accessories/Voltages | | General Specifications Actuator Model | | | |
|--------------------------------------|---------------|--|-------------|--|--|
| | | EATB | EAU | | |
| Standard Actuator Features | | | | | |
| Motor Drive Rotation | | Uni | Uni | | |
| NEMA Rating (Available) | | 4, 4X | 4, 4X | | |
| Enclosure Material (Top/Bottom) | | GFPPL/GFPPL | GFPPL/GFPPL | | |
| | | | | | |
| Position Indication w/LED | | POA | POA | | |
| Standard Voltage (VAC) | | 115 | 115 | | |
| Prewired to Terminal Strip | | | Standard | | |
| Motor Thermal Protector | | Standard | Standard | | |
| Automatic Reset | | Standard | Standard | | |
| Auxiliary Limit Switches (SPDT) | | | 1 STD | | |
| Auxiliary Limit Switch (Amp Rating) | | 5 | 5 | | |
| Low Ambient Limit without "T" (°F) | | 40°F | 40°F | | |
| High Ambient Limit (°F) | | 160°F | 160°F | | |
| Motor Brake | | Standard | Standard | | |
| Conduit Entry Size, NPT | | 1/2" | 1/2" | | |
| Permanent Lubrication | | Standard | Standard | | |
| Mounting Position | | Any | Any | | |
| Min/Max Wire Size | | 18/16 | 18/16 | | |
| Optional Actuator Accessories | Suffix | EATB | EAU | | |
| Timer Board | A | | | | |
| Cycle Time Rate Regulator | B | | | | |
| Positioner (4-20 mA) | C2E | | | | |
| 180 Degree Center-Off | D | | | | |
| Extended Duty | E | | | | |
| Handwheel | H | | | | |
| Mechanical Brake | K | | Standard | | |
| Electric Fail-safe (Battery Backup) | L2 | | | | |
| Feedback Potentiometer | | | | | |
| 90 Degree, 0 to 1000 Ohms | P | | | | |
| No-Stop, 0 to 1000 Ohms | P2 | | | | |
| Dual, 0 to 1000 Ohms | P3 | | | | |
| Auxiliary Limit Switches Available* | | | | | |
| Auxiliary Limit Switch w/cam 1 | S | | | | |
| Auxiliary Limit Switch w/cam 2 | S2 | | | | |
| Auxiliary Limit Switch w/cam 3 | S3 | | | | |
| Heater & Thermostat | T | | | | |
| Enclosure, NEMA 4,7,9 | X2 | | | | |
| 316 SS Tags w/Stamped Valve Numbers | YSS2 | Optional | Optional | | |
| Optional Voltages | Suffix | EATB | EAU | | |
| 12 VAC | 12A | | Optional | | |
| 24 VAC | 24A | | Optional | | |
| 220 VAC | 220A | | Optional | | |
| 12 VDC | 12D | | Optional | | |
| 24 VDC | 24D | | Optional | | |

*Should additional auxiliary limit switches be required greater than quantity shown, consult factory.

- Notes:**
1. K Option, Mechanical Brake, is required with Actuators for butterfly valves.
 2. E Option, Extended Duty, is included with Positioners.
 3. EVS and EVT Actuators can be CSA certified. Price on application.
 4. Positioners with 12–24 VDC input are available. Consult factory.
 5. EJM Actuators over 800 in-lb torque include handwheel.

Important Note: The valve and actuator combinations shown in this catalog have been tested and approved by Hayward Flow Control Systems when properly installed into compatible process systems. Should actuators, accessories or mounting hardware other than those supplied by Hayward be used for the operation of these valves, the installer assumes all responsibility for the performance of those valves.

Automated Valves and Actuators

EA Series Automated True Union Ball Valves, 1/2" to 2" Low Cost, Full Featured Valve and Actuator Combination



Valve Features

- PVC and Corzan® CPVC
- EPDM seals
- PTFE seats
- Full port design
- Fully serviceable
- Double o-ring stem seals

Actuator Features

- Thermoplastic NEMA 4/4X enclosure
- 2.5 second, 90 degree cycle time
- Thermal overload protection
- Permanently lubricated gear train
- Actuator brake
- No need for manual adjustments

Selection Chart

| Size | Material | End Connection | Seals | Pressure Rating |
|----------------------------|----------|--------------------|-------|-----------------------------|
| 1/2" - 2" (DN15 - DN50) | PVC | Socket or Threaded | EPDM | 235 PSI @ 70°F non-shock |

EAU Series Automated True Union Ball Valves, 1/2" to 2" Low Cost, Fully Featured Valve and Actuator Combination



Valve Features

- PVC and Corzan® CPVC
- FPM or EPDM seals
- PTFE seats
- Full port design
- Fully serviceable
- Double o-ring stem seals
- Unidirectional, not reversing

Actuator Features

- UL/CSA Listed Motor
- Thermoplastic NEMA 4/4X enclosure
- 2.5 second, 90 degree cycle time
- 90 or 180 degree operation
- Permanently lubricated gear train
- Actuator brake

Selection Chart

| Size | Material | End Connection | Seals | Pressure Rating |
|----------------------------|----------------|---------------------|----------------|-----------------------------|
| 1/2" - 2" (DN15 - DN50) | PVC or CPVC | Socket and Threaded | FPM or EPDM | 235 PSI @ 70°F non-shock |